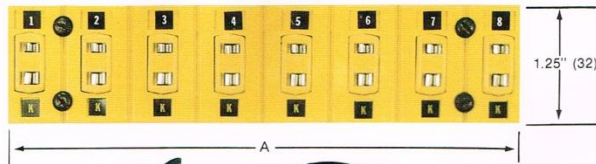
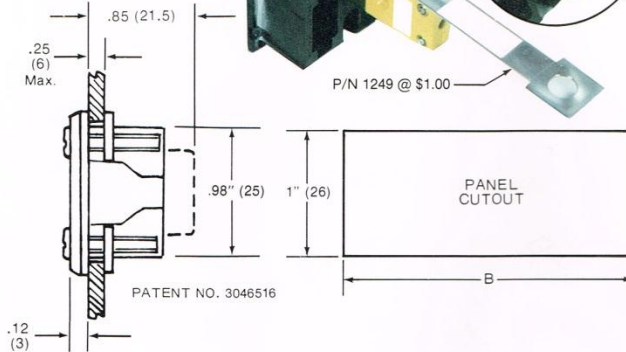
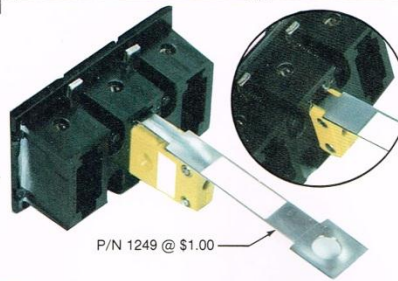


Marlin – Connectors – Mini Strippanel

CONNECTORS MINI STRIPANEL®



To remove connector from panel insert release key in slot above connector. Slide out connector.
To install simply push connector into panel until spring locks.



No. 1237 Miniature Strippanels are molded panels designed to mount No. 1210 miniature Jacks. Connectors are installed from the rear and snap in place with spring clips. They are easily removed by releasing spring clip with a release key. No loose connector mounting hardware. Circuit identification is distinct as each circuit is numbered, lettered and color coded. Self-contained hardware provides front mounting in panels 1/4" thick. Strippanel is molded of color coded thermoset compound that withstands ambient temperatures to 400°F (205°C) continuous and 500°F (260°C) intermittent. High temperature panels that will withstand ambient temperatures to 800°F (425°C) continuous and 1000°F (540°C) intermittent are molded of a red thermoset compound.

For corrosive application, gold plated contacts are available. Caution — system errors can result from use of plated contacts if significant thermal gradients exist at connection.

Available in modules from 2 circuits to 8 circuits. Standard strippanels are provided with Mini Jacks for horizontal mounting, as shown.

TO ORDER:

1. Give Strippanel No. $\xrightarrow{\quad}$ 1237 - 6 - J
2. Specify Number of circuits $\xrightarrow{\quad}$
3. Specify Thermocouple Type $\xrightarrow{\quad}$
4. For Hi-Temp Strippanel: 1337 - 6 - J
5. For vertical rows add suffix "V" e.g. 1237 - 6 - J - V

NUMBER OF CIRCUITS	"A" DIMENSION PANEL OAL		"B" DIMENSION CUTOUT LENGTH	
2	1.38"	35mm	1.25"	32mm
3	2.06"	52mm	1.94"	50mm
4	2.75"	70mm	2.63"	67mm
5	3.44"	87mm	3.31"	84mm
6	4.13"	105mm	4.00"	102mm
7	4.81"	122mm	4.69"	120mm
8	5.50"	140mm	5.38"	137mm

MINI STRIPANEL (400°F Continuous Ambient)			
No. of Circuits	Mini Panel Part No.	Price \$/Panel	
2	1237-2-*		
3	1237-3-*		
4	1237-4-*		
5	1237-5-*		
6	1237-6-*		
7	1237-7-*		
8	1237-8-*		

MINI STRIPANEL (800°F Continuous Ambient)			
No. of Circuits	Hi-Temp Mini Panel Part No.	Price \$/Panel	
2	1337-2-*		
3	1337-3-*		
4	1337-4-*		
5	1337-5-*		
6	1337-6-*		
7	1337-7-*		
8	1337-8-*		

*Thermocouple Type Code: J, K, T, N, E, R, S, U
2.) Gold plated contacts at extra cost, use suffix "G" (i.e. 1237-2-K-G)