

LCX-A-ID

- $\phi 28$ mm, thickness: 18 mm (500 N to 2 kN)
- 500 N to 20 kN

Small-sized Compression Load Cell



Compact & Lightweight Easy to Incorporate into Equipment

This is a compact, lightweight, and thin load cell, easy to incorporate into existing equipment. The case is an all-stainless steel product.

Additionally, the cable is connected using a connector, therefore there are no wiring problems, and cable replacement is easy. Work is also possible if the cable is replaced with one resistant to repeated bending (Flexible cable). Please attach a suffix of M1Z3K to the model name.

Specifications

Performance

Rated Capacity	See table below.
Nonlinearity	Within $\pm 0.1\%$ RO
Hysteresis	Within $\pm 0.1\%$ RO
Repeatability	0.05% RO or less
Rated Output	1.0 mV/V or more for 500 N 1.5 mV/V or more for 1 to 20 kN

Environmental Characteristics

Safe Temperature	-20 to 80°C
Compensated Temperature	-10 to 70°C
Temperature Effect on Zero	Within $\pm 0.01\%$ RO/°C for 500 N Within $\pm 0.005\%$ RO/°C for 1 to 20 kN
Temperature Effect on Output	Within $\pm 0.005\%$ /°C

Electrical Characteristics

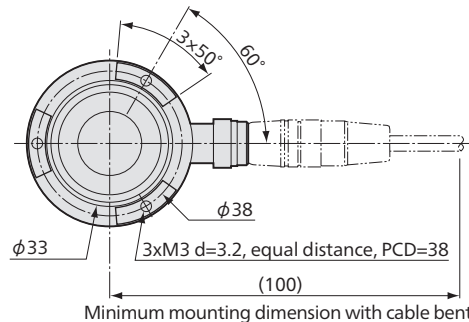
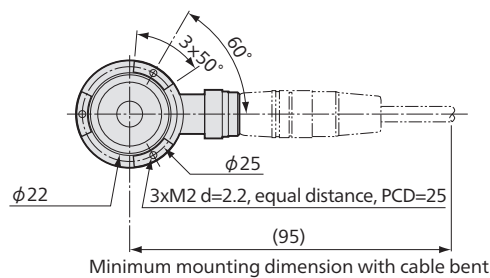
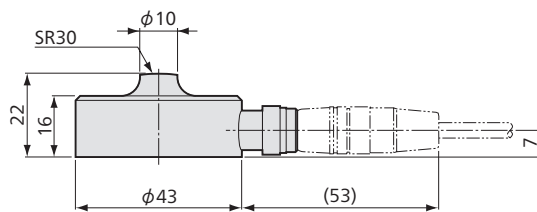
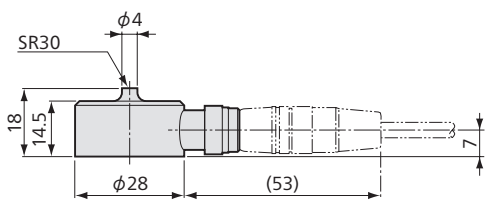
Safe Excitation	15 V AC or DC
Recommended Excitation	1 to 10 V AC or DC
Input Resistance	375 $\Omega \pm 5 \Omega$
Output Resistance	350 $\Omega \pm 3.5 \Omega$
Dedicated connection cable	TE-45
Cable	6-conductor (0.08 mm ²) chloroprene shielded cable, 4.4 mm diameter by 3 m long, terminated with a connector plug to the transducer side and bared at the other side (Shield wire is not connected to the case.)

Mechanical Properties

Safe Overloads	150%
Safe Lateral Load Rating	15% the rated capacity
Natural Frequencies	See table below.
Materials	Stainless steel
Weight	500 N to 2 kN: Approx. 45 g (Excluding cable) 5 kN to 20 kN: Approx. 120 g (Excluding cable)
Degree of Protection	IP67 (IEC 60529)

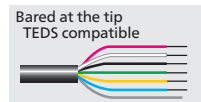
Models	Rated Capacity	Natural Frequencies (Approx.)
LCX-A-500N-ID	500 N	24 kHz
LCX-A-1KN-ID	1 kN	29 kHz
LCX-A-2KN-ID	2 kN	37 kHz
LCX-A-5KN-ID	5 kN	24 kHz
LCX-A-10KN-ID	10 kN	28 kHz
LCX-A-20KN-ID	20 kN	37 kHz

Dimensions



LCX-A-500N to 2KN

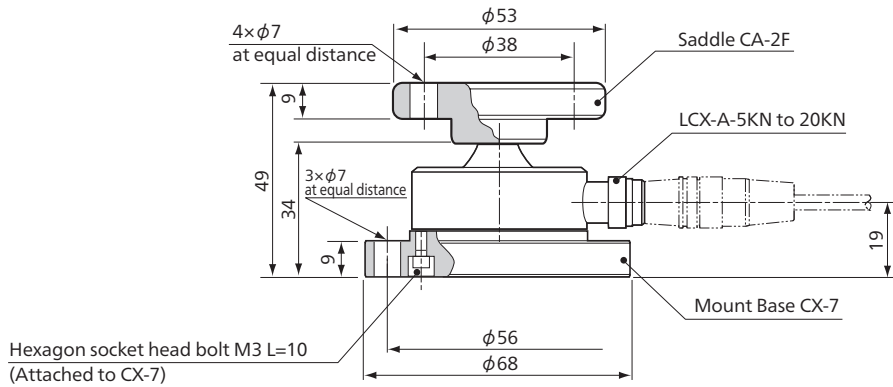
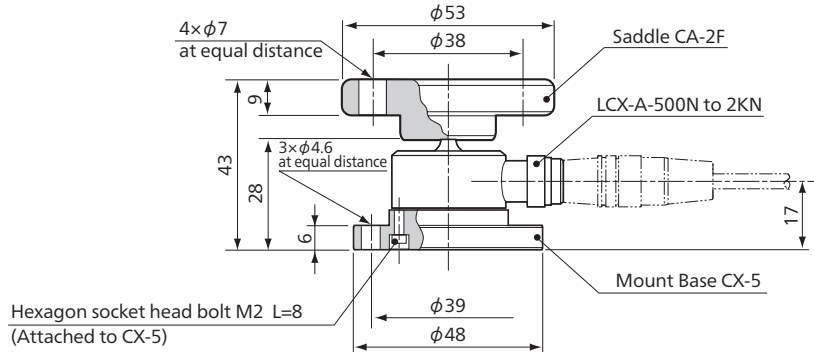
LCX-A-5KN to 20KN





■ Dimensions with Saddle and Mount Base Mounted

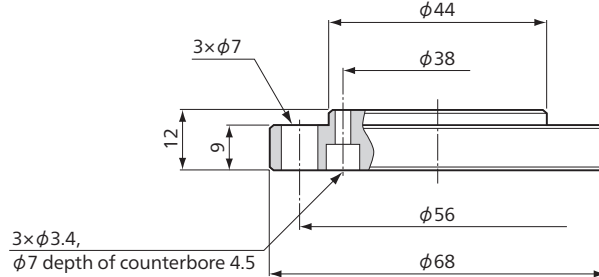
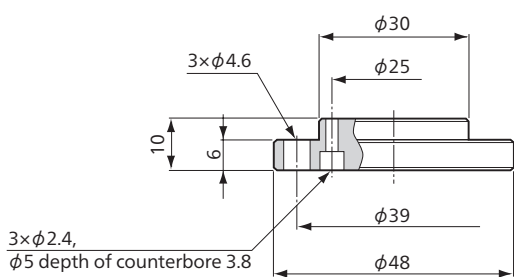
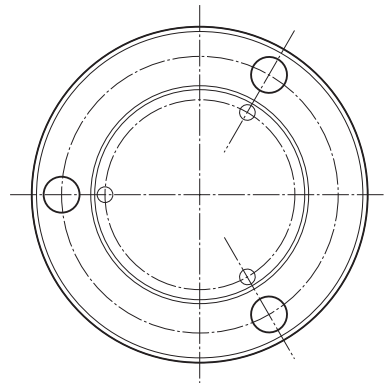
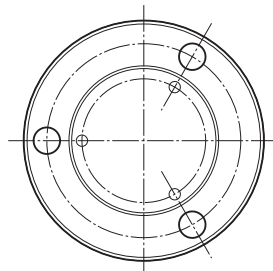
● In Combination with Saddle (CA) and Mount Base (CX)



■ Dimensions for Mount Base

● Mount Base CX-5 Weight: Approx. 100 g

● Mount Base CX-7 Weight: Approx. 280 g



● Physical quantity indication

● Static measurement

● Dynamic measurement

LCX-A-ID
Recommended
products for
combination

