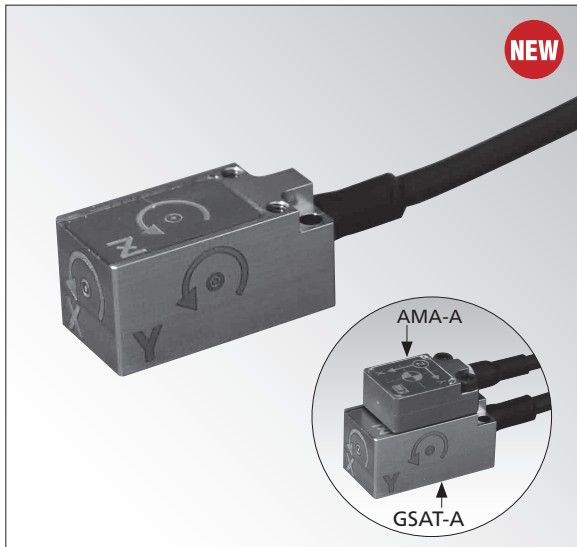


# GSAT-A-900

## Three Axis Angular Rate Gyro



### Specifications

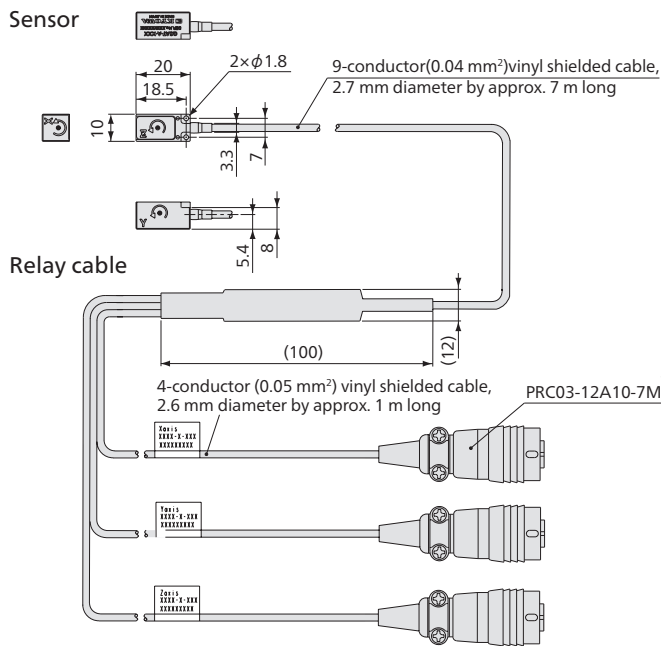
Performance	
Rated Capacity :	±900 deg./s (±15.708 rad/s)
Nonlinearity :	Within ±0.5% RO
Hysteresis :	Within ±0.05% RO
Rated Output :	Approx. ±2.0V
Environmental Characteristics	
Compensated Temperature Range :	5°C to 40°C
Safe Temperature Range :	-10°C to 60°C
Temperature Effect on Zero Balance :	Within ± 1.0% RO / °C
Electrical Characteristics	
Safe Excitation Voltage :	±6.0 VDC with dual supply 12 VDC with single supply
Recommended Excitation Voltage :	±2.5 VDC to ±5.0 VDC with dual supply With single supply, refer to the instruction manual.
No-load Output :	Within ±10% RO
Cables :	Sensor: 9-conductor (0.04 mm <sup>2</sup> ) vinyl shielded cable, 2.7 mm diameter by approx. 7 m long Relay: 4-conductor (0.05 mm <sup>2</sup> ) vinyl shielded cables, 2.6 mm diameter by approx. 1 m long, terminated with connector plugs PRC03-12A10-7M (Shield wire is not connected to mainframe.)
Mechanical Properties	
Safe Overload Rating :	1000%
Safe Shock Resistance :	1000 G
Transverse Sensitivity :	Within ±10% RO
Weight :	Approx. 10 g (excluding cables)
Dimensions :	See the drawing overleaf.

### Compact and lightweight while enabling simultaneous measurement of angular velocities in 3 directions

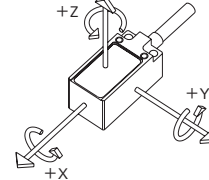
- Compact and triaxial
- High shock resistance (1000G)
- Most suitable for posture measurement
- AMA-A\* can be mounted on the top

Note: \* AMA-A: Compact triaxial acceleration transducers

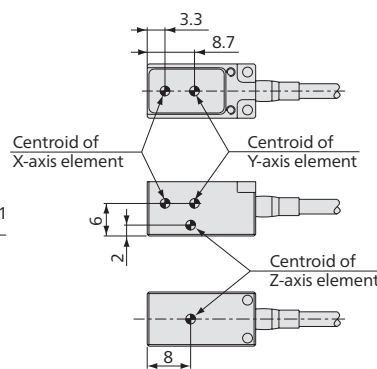
### Dimensions



Directions of Sensitive Axes



Centroid positions



Weight : Approx. 10 g (excluding cables)  
Cable full length : Approx. 8 m long

● indicates the centroid of element.

\*1 For rectangular connectors type, Its model is GSAT-A-J

GSAT-A Recommended products for combination

- Conditioner card CVM-40A → 3-84
- Universal Recorders EDX-100A → 3-65
- Universal Recorders EDX-200A → 3-69
- Memory Recorder/Analyzers EDX-3000A → 3-79
- DIS-5010A → 5-36

Field to recommend

