

LCW-C-SA3

Washer-Type Load Cells



- For Press Forming
- 10 to 300 kN

Specifications

Performance

Rated Capacity :	See table below.
Nonlinearity :	Within±1% RO
Hysteresis :	Within±1% RO
Rated Output :	Approx. 1 mV/V (2000μm/m)

Environmental Characteristics

Safe Temperature Range :	-35 to 80°C
Compensated Temperature Range :	-10 to 70°C
Temperature Effect on Zero Balance :	Within±0.01% RO/°C
Temperature Effect on Output :	Within±0.01%/°C

Electrical Characteristics

Safe Excitation Voltage :	15V AC or DC
Recommended Excitation Voltage :	1 to 10V AC or DC
Input Resistance :	350Ω±1%
Output Resistance :	350Ω±1%
Cable :	4-conductor (0.3 mm ²) chloroprene shielded cable, 7.6 mm diameter by 5 m long, bared at the tip (Shield wire is not connected to mainframe.)

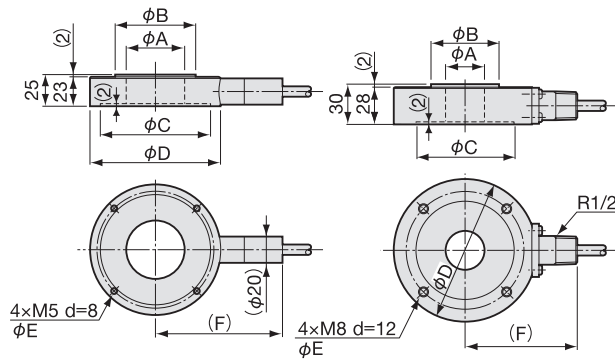
Mechanical Properties

Safe Overload Rating :	150%
Weight :	See table below.

Thin, High Stability Wide Range of Rated Capacities

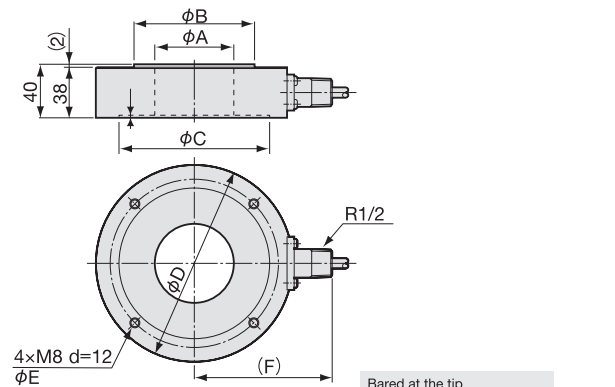
Extremely simple structure facilitates handling and maintenance. Widely applicable for bolt tension control, press forming, etc.

Dimensions

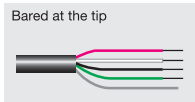


LCW-C-10,20KNSA3

LCW-C-50,100KNSA3



LCW-C-200,300KNSA3



Model	Rated Capacity	φA	φB	φC	φD	φE (F)	Weight (Approx.)*
LCW-C-10KN25SA3	10kN	25	42	64	80	70	0.6kg
LCW-C-10KN35SA3		35	52	74	90	80	0.7kg
LCW-C-10KN45SA3		45	62	84	100	90	0.8kg
LCW-C-10KN55SA3		55	72	94	110	100	0.9kg
LCW-C-10KN65SA3		65	82	104	120	110	1.0kg
LCW-C-20KN25SA3	20kN	25	42	64	80	70	0.6kg
LCW-C-20KN35SA3		35	52	74	90	80	0.7kg
LCW-C-20KN45SA3		45	62	84	100	90	0.8kg
LCW-C-20KN55SA3		55	72	94	110	100	0.9kg
LCW-C-20KN65SA3		65	82	104	120	110	1.0kg
LCW-C-50KN30SA3	50kN	30	52	74	108	90	1.7kg
LCW-C-50KN40SA3		40	62	84	118	100	1.9kg
LCW-C-50KN50SA3		50	72	94	128	110	2.1kg
LCW-C-50KN60SA3		60	82	104	138	120	2.3kg
LCW-C-50KN70SA3		70	92	114	148	130	2.5kg
LCW-C-50KN80SA3	80	102	124	158	140	2.7kg	
LCW-C-100KN30SA3	100kN	30	52	74	108	90	1.7kg
LCW-C-100KN40SA3		40	62	84	118	100	1.9kg
LCW-C-100KN50SA3		50	72	94	128	110	2.1kg
LCW-C-100KN60SA3		60	82	104	138	120	2.3kg
LCW-C-100KN70SA3		70	92	114	148	130	2.5kg
LCW-C-100KN80SA3	80	102	124	158	140	2.7kg	
LCW-C-200KN60SA3	200kN	60	92	114	148	130	3.7kg
LCW-C-200KN70SA3		70	102	124	158	140	4.1kg
LCW-C-200KN80SA3		80	112	134	168	150	4.4kg
LCW-C-200KN90SA3		90	122	144	178	160	4.8kg
LCW-C-200KN100SA3		100	132	154	188	170	5.1kg
LCW-C-300KN60SA3	300kN	60	92	114	148	130	3.7kg
LCW-C-300KN70SA3		70	102	124	158	140	4.1kg
LCW-C-300KN80SA3		80	112	134	168	150	4.4kg
LCW-C-300KN90SA3		90	122	144	178	160	4.8kg
LCW-C-300KN100SA3		100	132	154	188	170	5.1kg

*not including cable