

**Terminal shapes:**

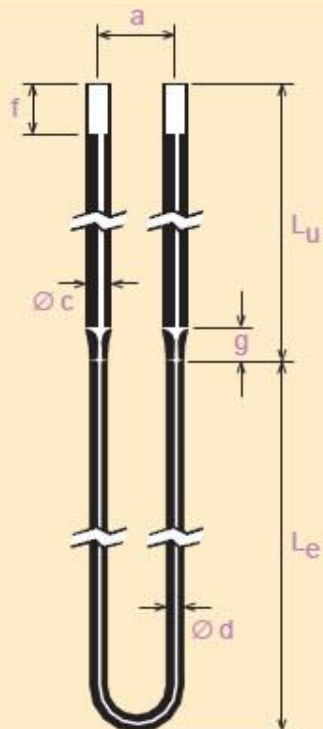


Fig. 6 Straight terminals.

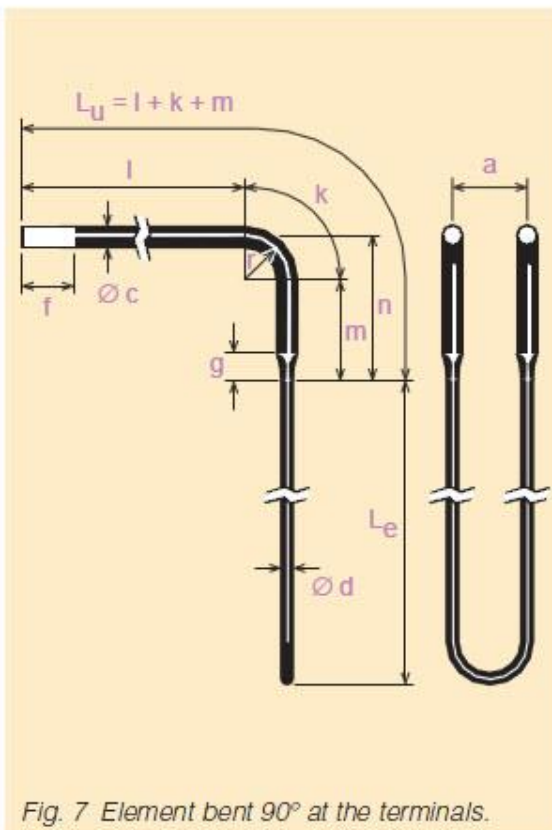


Fig. 7 Element bent 90° at the terminals.

The following parameters are valid for all KANTHAL SUPER elements. Dimensional tolerances  $\pm 5\%$  (except  $c$  and  $d$ ).

Element size	a mm		c mm	d mm	f mm	g mm	k <sub>90°</sub> mm	k <sub>45°</sub> mm	m mm	n mm		r mm	
	Standard	Minimum								Standard	Minimum	Standard	Minimum
3/6	25	20	6	3	25	15	19	9	30	42	37	12	
4/9	25	20	9	4	25	15	19	9	35	47	37	12	
6/12	50	25	12	6	45	25	47	24	60	90	80	30	20
9/18	60	40	18	9	75	30	71	35	90	135	110	45	30
12/24	80	50	24	12	100	40							
Element size	a in.		c in.	d in.	f in.	g in.	k <sub>90°</sub> in.	k <sub>45°</sub> in.	m in.	n in.		r in.	
	Standard	Minimum								Standard	Minimum	Standard	Minimum
3/6	1.0	0.79	0.24	0.12	1.0	0.6	0.75	0.35	1.18	1.65	1.44	0.47	
4/9	1.0	0.79	0.35	0.16	1.0	0.6	0.75	0.35	1.38	1.85	1.44	0.47	
6/12	1.97	1.0	0.47	0.24	1.8	1	1.85	0.94	2.36	3.55	3.15	1.18	0.79
9/18	2.36	1.57	0.71	0.35	3.0	1.2	2.8	1.38	3.71	5.31	4.33	1.77	1.18
12/24	3.15	1.97	0.95	0.47	4.0	1.6							

Table 4 Parameters of KANTHAL SUPER Elements.