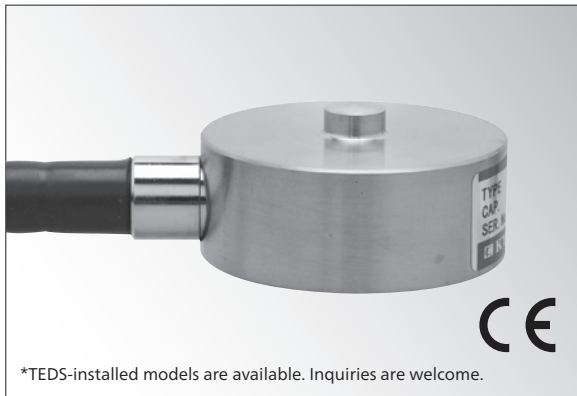


Small-sized Compression Load Cell



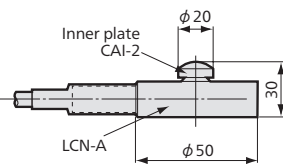
*TEDS-installed models are available. Inquiries are welcome.

Compact & lightweight Corrosion-resistant Hermetically sealed structure with inert gas filled in

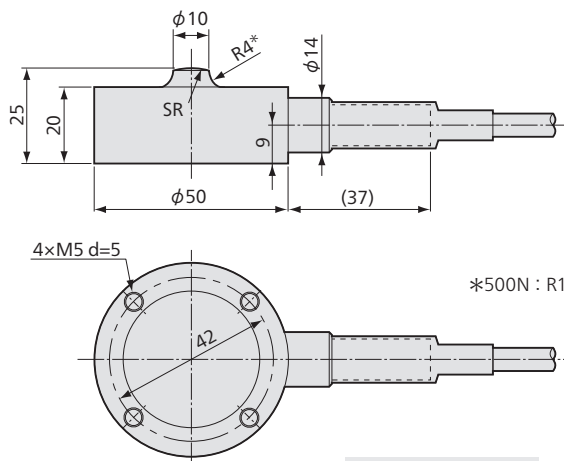
Compact & lightweight design facilitates installation into existing facilities. Excellent stability and reliability are ensured by the hermetically-sealed structure with inert gas filled in. Furthermore, the stainless steel (SUS 630) enclosure makes them widely usable as sensors for equipment requiring corrosion resistance.

Inner Plate CAI-2

The inner plate is intended to protect the load sensing part at the top of load cell. It prevents the sphere from being flattened due to frequent impact loads.

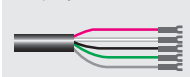


Dimensions



Models	SR
LCN-A-500N to 2KN	15
LCN-A-5KN to 20KN	30

Crimp-style terminals



Specifications

Performance

Rated Capacity	See table below.
Nonlinearity	Within $\pm 0.15\%$ RO
Hysteresis	Within $\pm 0.1\%$ RO
Repeatability	0.05% RO or less
Rated Output	2 mV/V (4000×10^{-6} strain) $\pm 0.3\%$

Environmental Characteristics

Safe Temperature	-20 to 80°C
Compensated Temperature	-10 to 70°C
Temperature Effect on Zero	Within $\pm 0.005\%$ RO/°C
Temperature Effect on Output	Within $\pm 0.01\%$ /°C

Electrical Characteristics

Safe Excitation	20 V AC or DC
Recommended Excitation	1 to 12 V AC or DC
Input Resistance	350 $\Omega \pm 0.5\%$
Output Resistance	350 $\Omega \pm 0.5\%$
Cable	4-conductor (0.5 mm ²) chloroprene shielded cable, 8.5 mm diameter by 3 m long, with crimp-style terminals (For 4 mm) (Shield wire is not connected to the case.)

Mechanical Properties

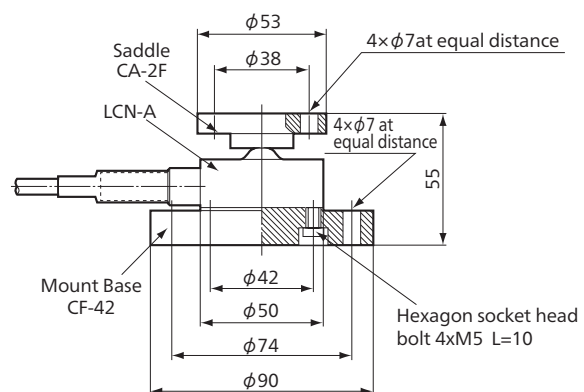
Safe Overloads	200%
Natural Frequencies	See table below.
Weight	Approx. 220 g (Excluding cable)
Materials	Main unit: SUS 630 Bottom plate: SUS 304
Degree of Protection	IP67 (IEC 60529)
RoHS Directive	EN50581

Optional Accessories	Saddle CA-2F Mount Base CF-42 Inner Plate CAI-2
----------------------	---

Models	Rated Capacity	Natural Frequencies (Approx.)
LCN-A-500N	500 N	6.4 kHz
LCN-A-1KN	1 kN	5.3 kHz
LCN-A-2KN	2 kN	7.6 kHz
LCN-A-5KN	5 kN	13 kHz
LCN-A-10KN	10 kN	18 kHz
LCN-A-20KN	20 kN	24 kHz

Dimensions with Saddle and Mount Base

● In combination with saddle (CA) and mount base (CF)



Hexagon socket head bolts to connect the load cell and mount base are attached to the mount base.

● Physical quantity indication

● Static measurement ● Dynamic measurement

