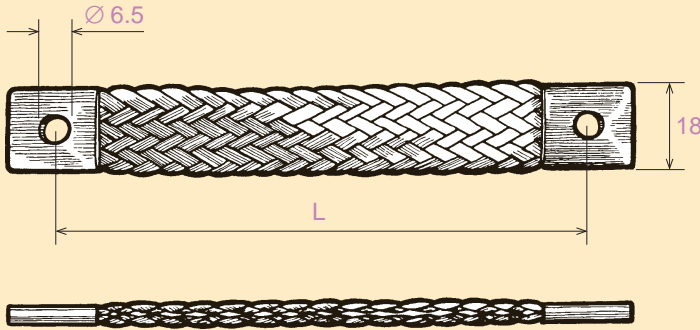


# Accessories

## Element size 3/6 mm and 4/9 mm

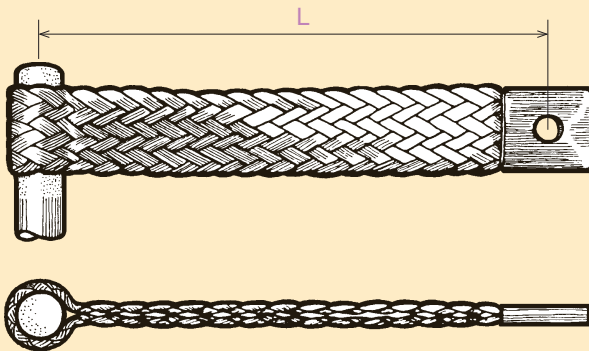
(All dimensions in mm)

### Contact straps



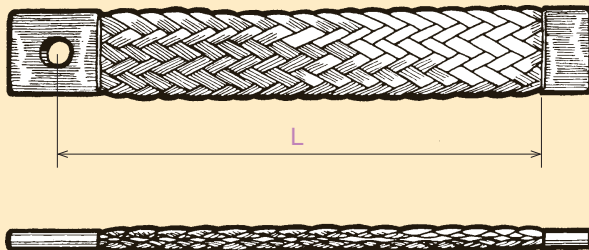
#### Type 5826

Lengths (L):  
100, 150, 200



#### Type 5827

Lengths (L):  
75, 100, 150, 200



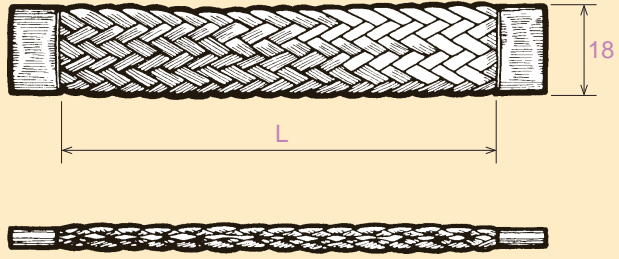
#### Type 5828

Lengths (L): 75,  
100, 150, 200

11

**Type 5829**

Lengths (L):  
75, 100, 150, 200  
Spring clips to be  
used at both ends.



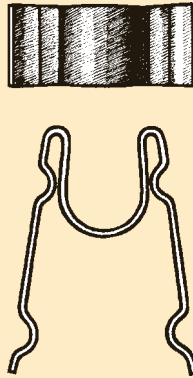
**Type 10434**

for element  
size 3/6 mm

**Type 10435**

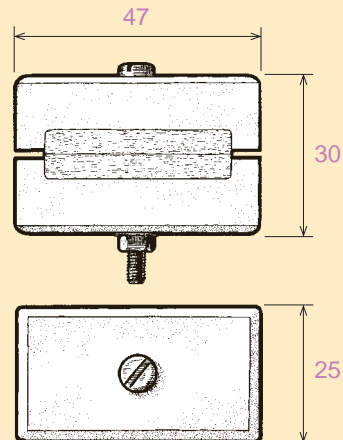
for element  
size 4/9 mm

**Spring clips**

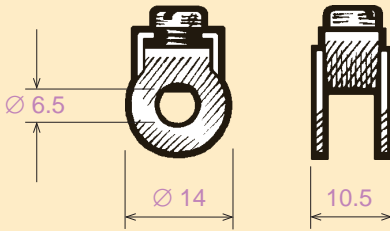


**Type 5830**

**Element holder**

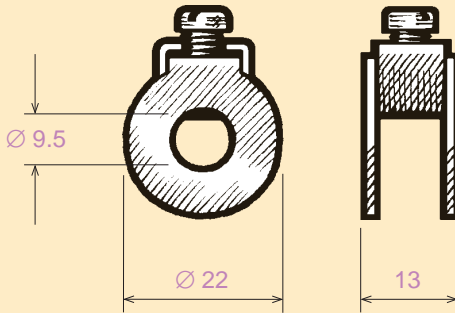


**Single-shank holders**



**Type 10421**

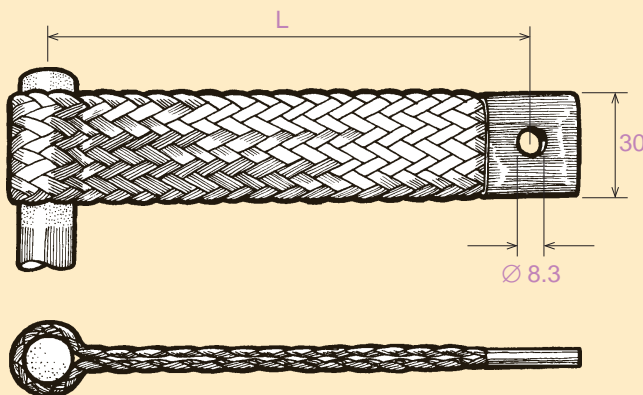
for element size 3/6 mm



**Type 10424**

for element size 4/9 mm

**Element size 6/12 mm  
Contact straps**



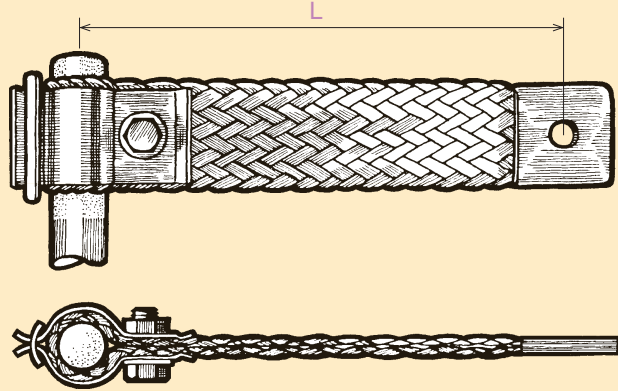
**Type 5766**

Lengths (L):  
80, 100, 150, 200,  
250, 300

11

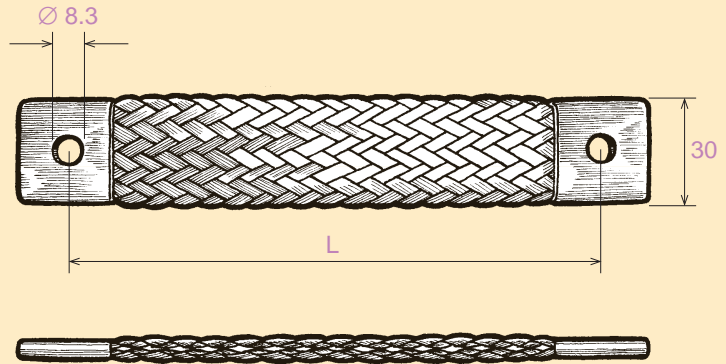
**Type 3579**

Lengths (L):  
80, 100, 150, 200,  
250, 300



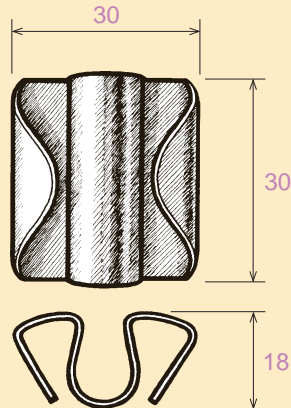
**Type 5768**

Lengths (L): 150  
200, 250, 300  
Note: two pcs per  
shank for 9/18

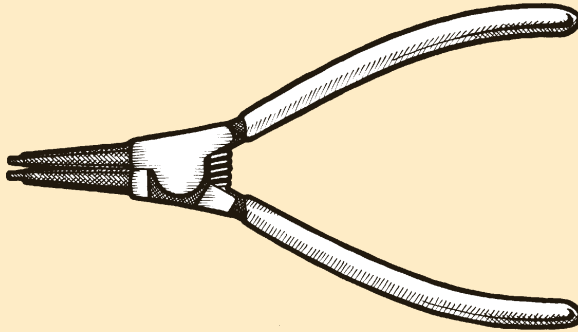


**Type 5758**

**Contact clamp**

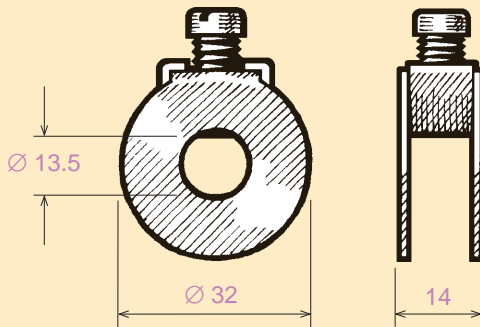


### Expansion tool for clamps

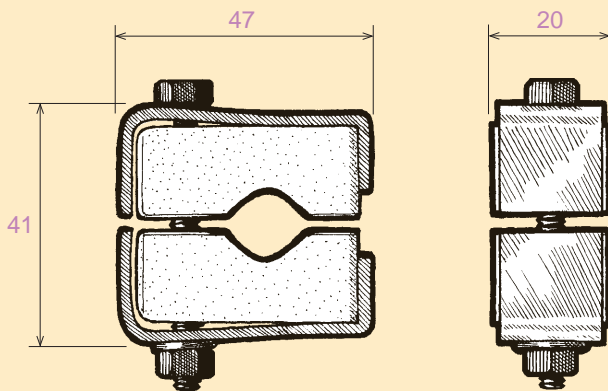


Type 21690

### Single-shank holders



Type 6248



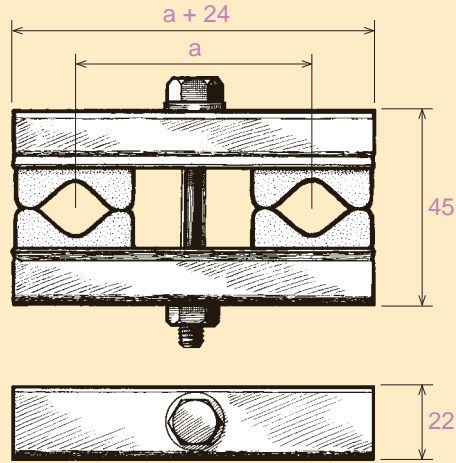
Type 5778

11

**Type 5776**

a = 40, 45, 50,  
55, 60

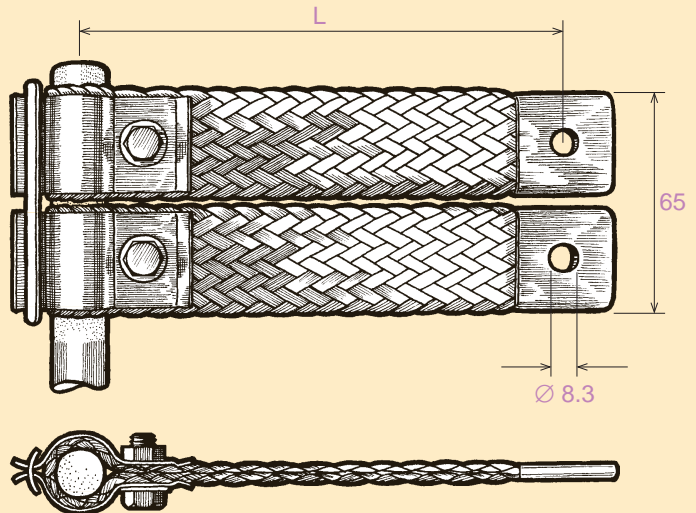
**Two-shank holder**



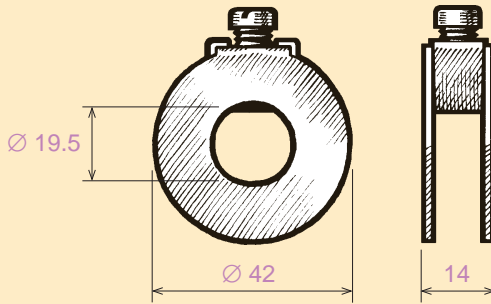
**Element size 9/18 mm**  
**Contact straps**

**Type 3801**

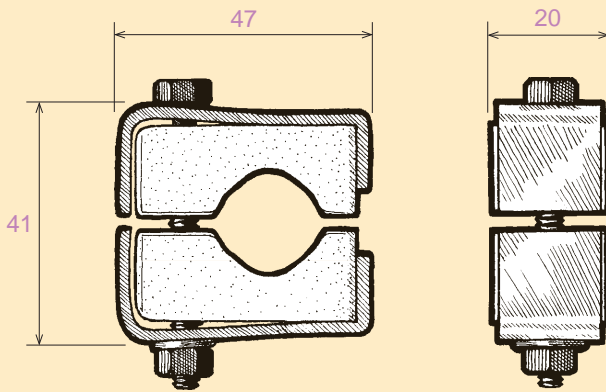
Lengths (L):  
100, 150, 200,  
250, 300



**Single-shank holders**

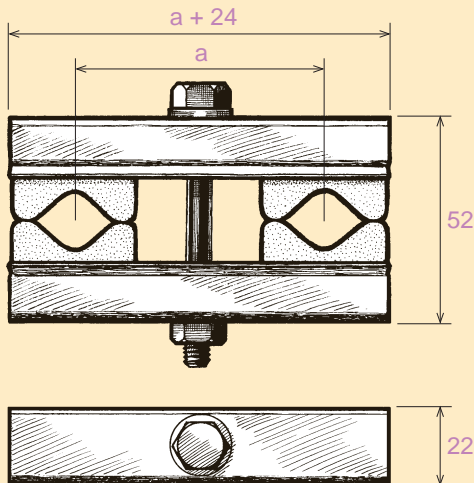


**Type 6249**



**Type 5779**

**Two-shank holders**



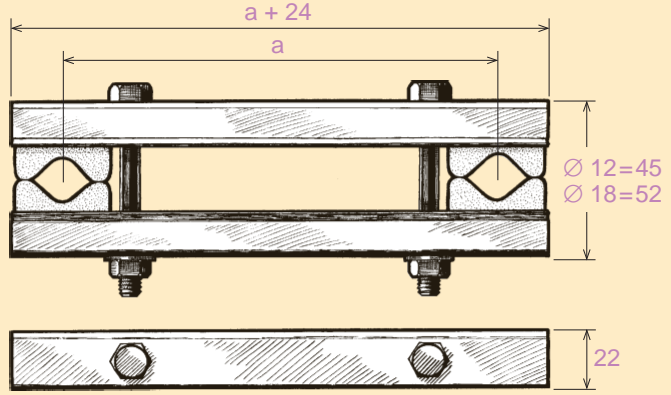
**Type 5776**

$a = 40, 45, 50, 55, 60$

11

**Type 5777**

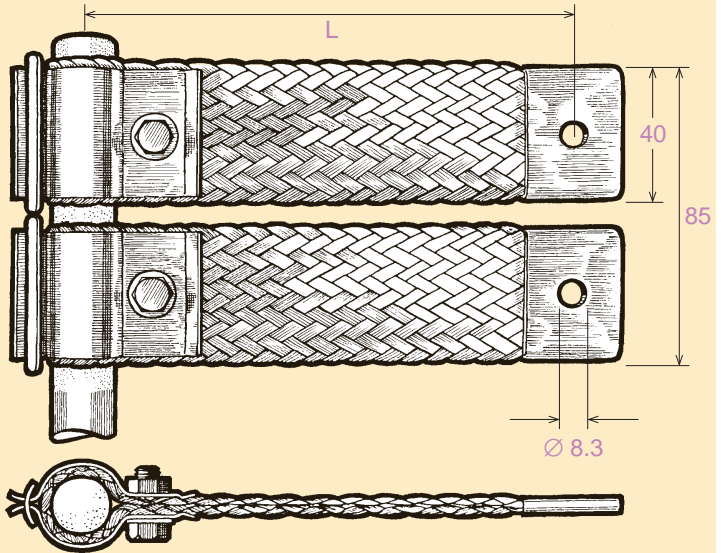
a = 80 and 150  
for element  
size 6/12 also



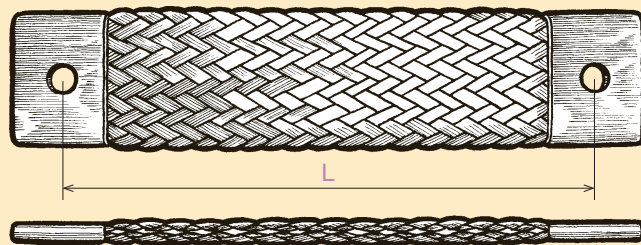
**Element size 12/24mm  
Contact straps**

**Type 10432**

Lengths (L):  
150, 200, 250, 300  
Note: Two per  
shank

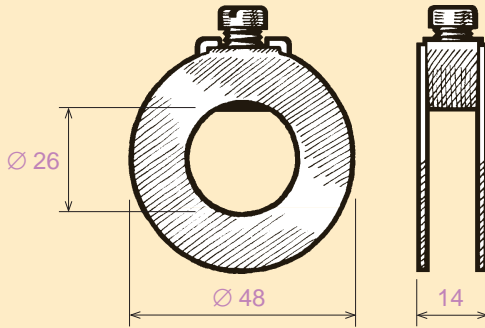


**Type 10439**



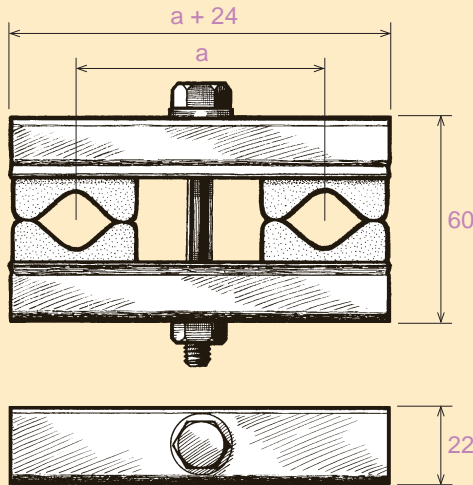


**Single-shank holder**



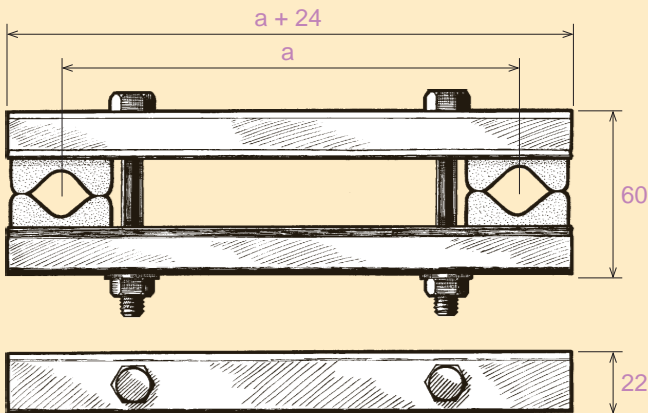
**Type 10433**

**Two-shank holders**



**Type 10437**

$a = 60$



**Type 10438**

$a = 80$

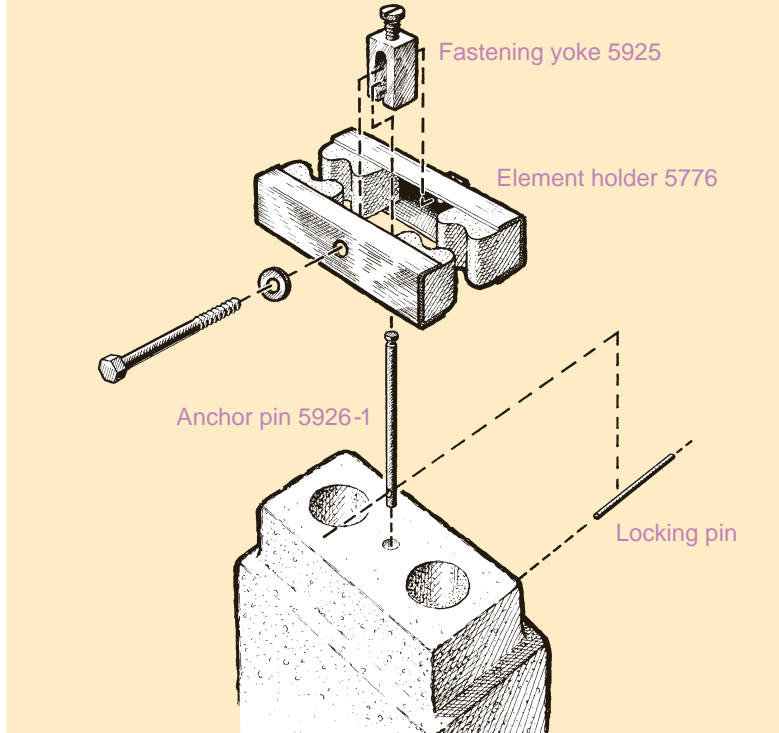
11

**Standard anchor system**

**Type 5987**

Element holder  
Standard design

**Anchor systems**



**Air cooled anchor system**

**Type 5927**

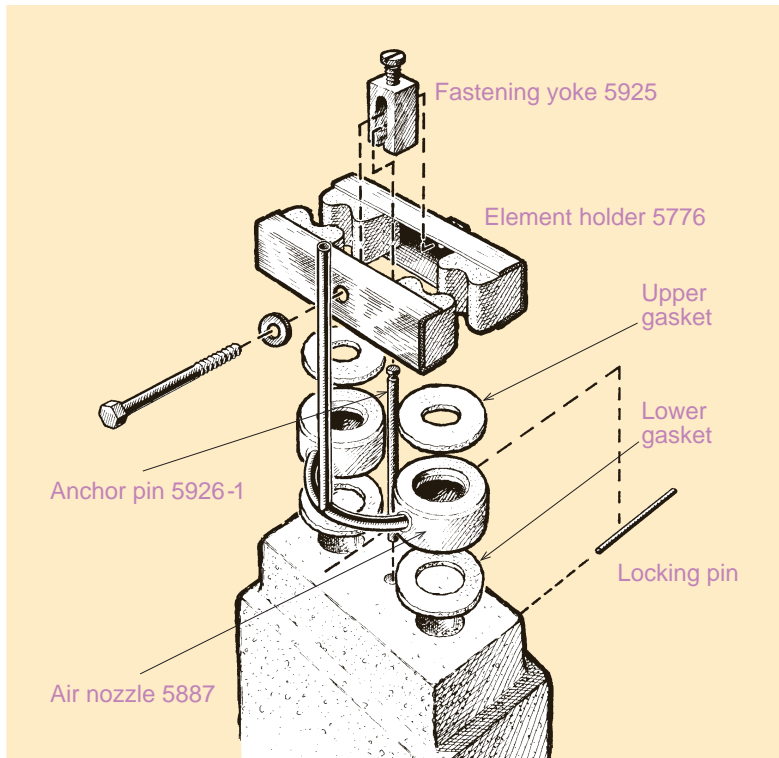
Element holder  
with air nozzle for  
KANTHAL SUPER  
9/18 mm a = 60

**Type 6031**

Element holder for  
KANTHAL SUPER  
6/12 mm a = 50

**Type 6033**

Element holder for  
KANTHAL SUPER  
6/12 mm a = 40



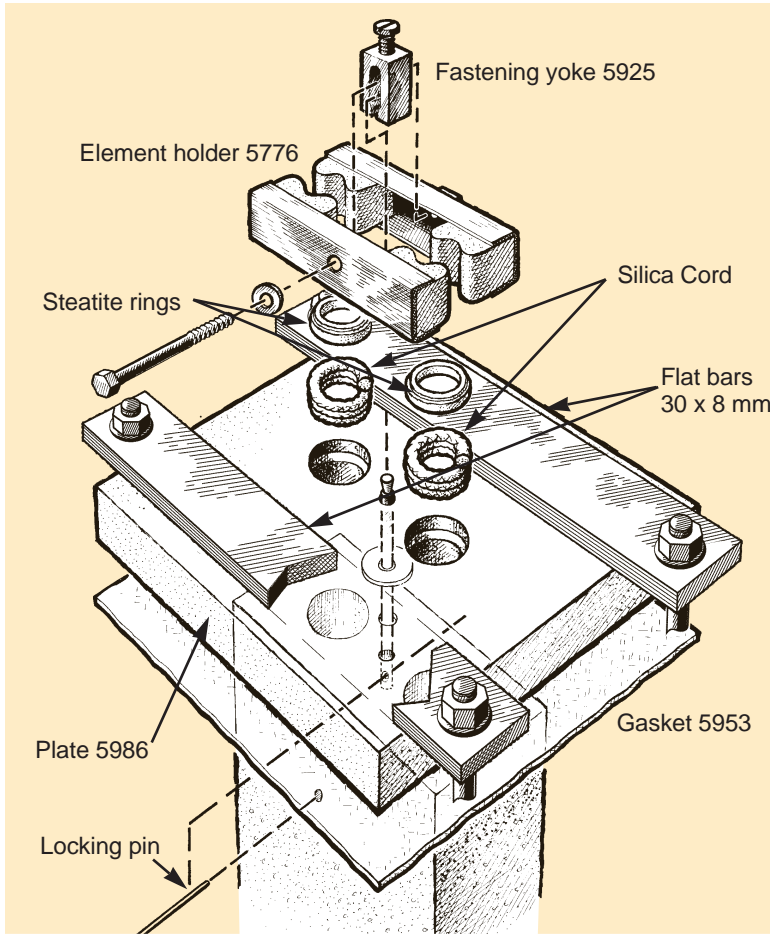
### Sealed element anchor system

#### Type 5965

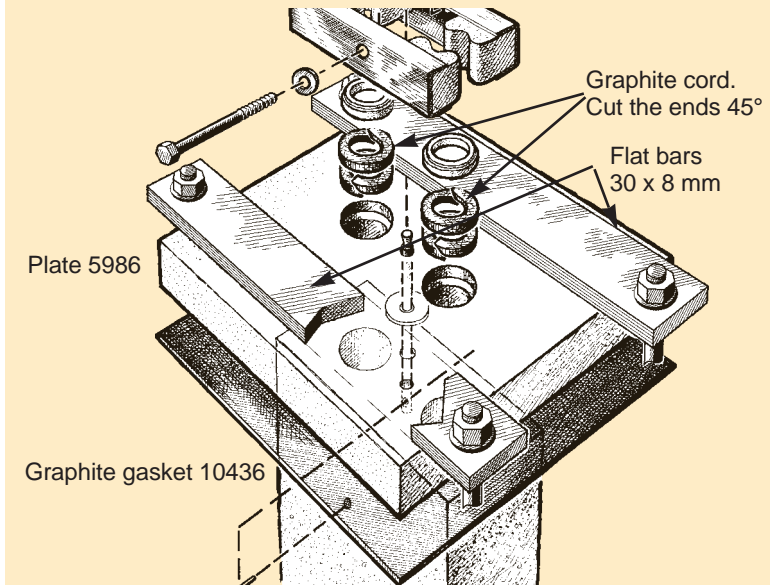
Element holder with sealed terminal lead through for KANTHAL Super 9/18 mm a = 60

#### Type 6037

Element holder with sealed terminal lead through for KANTHAL Super 6/12 mm a = 50



#### Graphite alternative



11

**For anchor systems.  
Sealed design.**

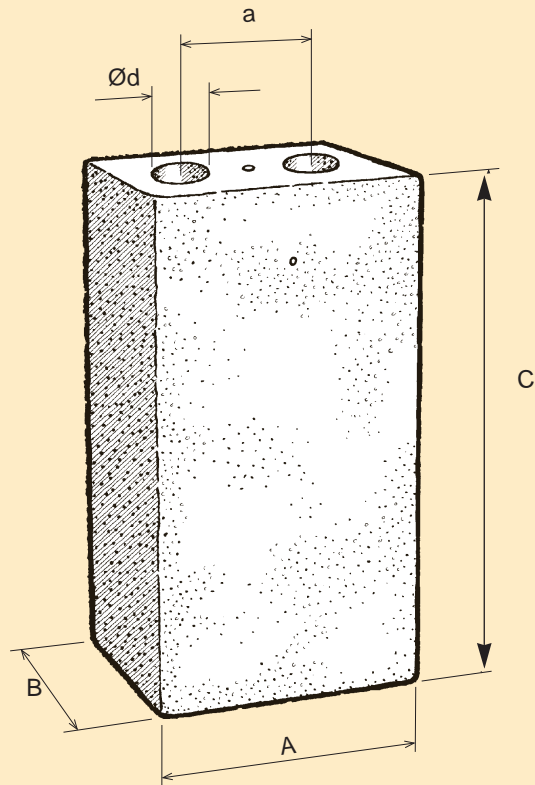
### Passage bricks

**Note:** Under certain conditions, long passage bricks may result in excessive temperatures on the terminals, unless special precautions are taken when designing the furnace.

Type No.	Grade	A	B	C	a	d	Element size
6038-1	28	115	64	229	50	15	6/12
5984-1		115	64	229	60	23	9/18
5984-2		115	76	229	60	23	
5984-3	152	76	305	60	23		

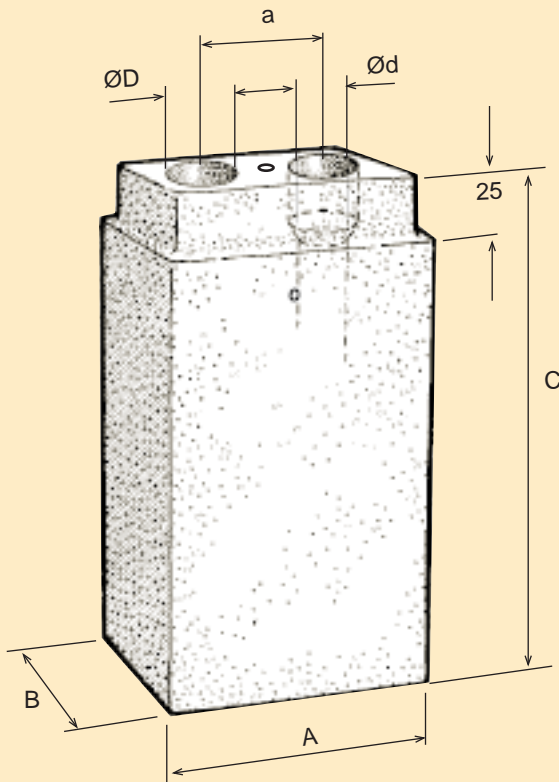
**Type 6038**  
for 6/12 mm

**Type 5984**  
for 9/18 mm



Type No.	Grade	A	B	C	a	d	D	Element size
6036-1,-3,-6	G28,30,33	115	64	229	40	15	25	6/12
6036-9,-4,-8		115	64	229	45	15	25	
6036-2,-5,-7		115	64	229	50	15	25	
5985-1,-4,-8	G28,30,33	115	64	229	60	23	35	9/18
5985-2,-5,-10		115	76	229	60	23	35	
5985-3,-6,-11		152	76	305	60	23	35	
10943-1,-4,-7	G28,30,33	115	64	229	60	30	40	12/24
10943-2,-5,-8		115	76	229	60	30	40	
10943-3,-6,-9		152	76	305	80	30	40	

**For anchor systems. Standard design.**



**Type 6036**  
for 6/12 mm

**Type 5985**  
for 9/18 mm

**Type 10943**  
for 12/24

**11**

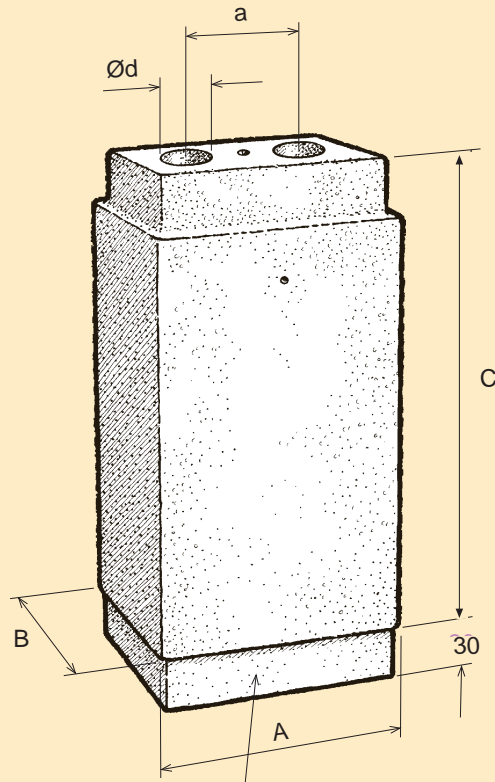
**For anchor systems.  
Air cooled design.**

Type No.	Grade	A	B	C	a	d	D	Element size
6035-1,-3,-6 6035-,-4,-7 6035-2,-5,-8	G28,30,33	115 115 115	64 64 64	229 229 229	40 45 50	15 15 15	25 25 25	6/12
5930-1,-4,-7 5930-2,-5,-8 5930-3,-6,-9	G28,30,33	115 115 152	64 76 76	229 229 305	60 60 60	23 23 23	35 35 35	9/18

**Type 6035**  
for 6/12 mm

**Type 5930**  
for 9/18 mm

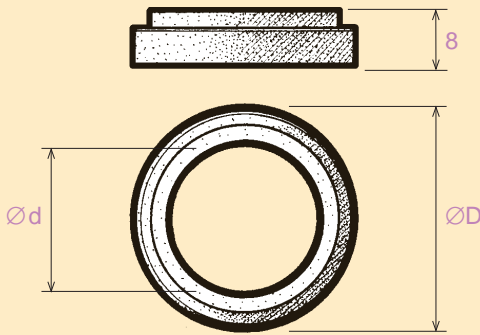
for 12/24 mm



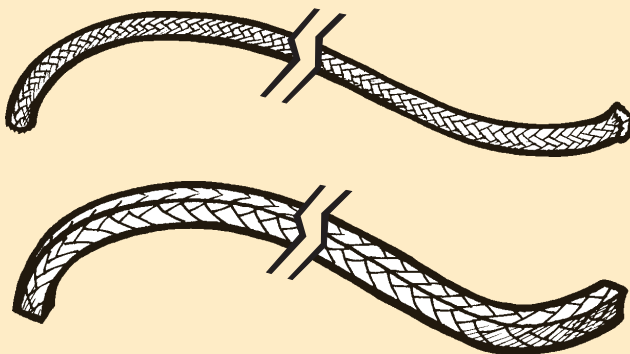
Bottom plate: ALFRAX coated grade 33

## Other Accessories

Element size	6/12	9/18
D	20	27
d	13	19



Element size	6/12	9/18
Length of silica cord	2 x 180	2 x 230
Length of graphite cord	4 x 60	4 x 80



## Steatite rings

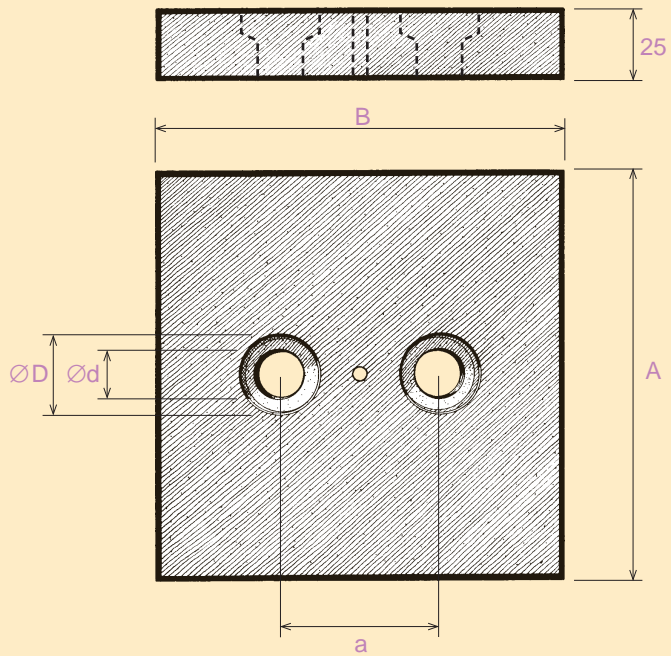
11

## Silica cord and graphite cord

11

Plates

Type	A	B	a	d	D
5986-1	150	150	60	20	28
5986-2	160	160	60	20	28
5986-3	180	180	60	20	28
5986-4	160	200	60	20	28
5986-5	130	180	60	20	28
5986-10	150	150	50	13	21

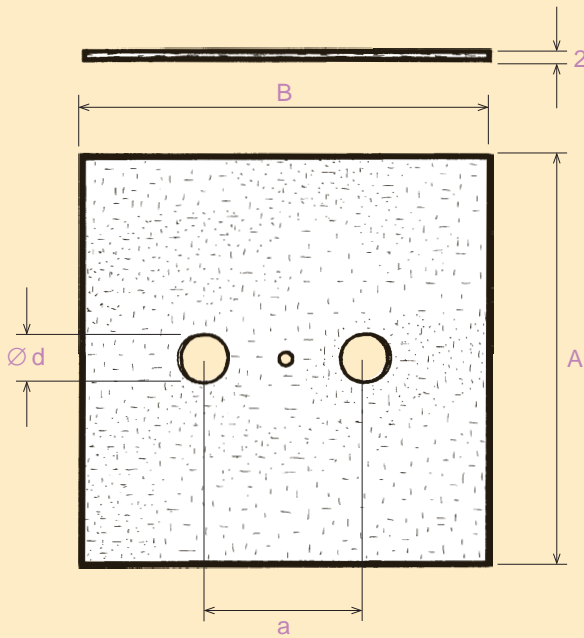




**Gasket for plates**

Graphite	Ceramic fibre	A	B	a	d
10436-1	5953-1	150	150	60	18
10436-2	5953-2	160	160	60	18
10436-3	5953-3	180	180	60	18
10436-4	5953-4	160	200	60	18
10436-5	5953-5	130	180	60	18
10436-10	5953-10	150	150	50	12

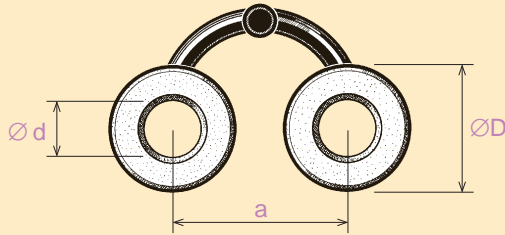
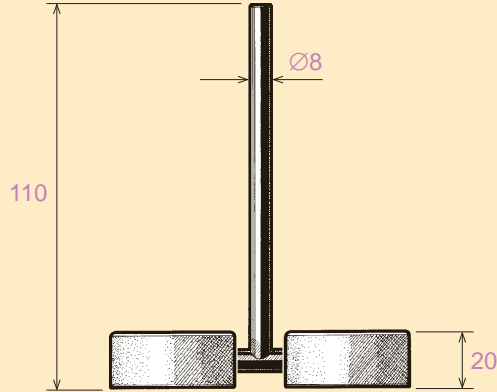
10436-1-5 d = 30 mm  
 10436-10 d = 24 mm



11

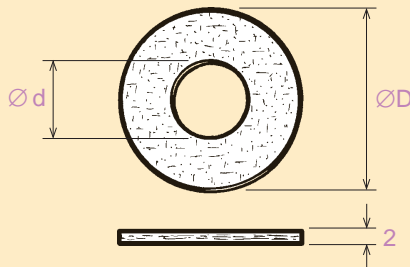
Air nozzles

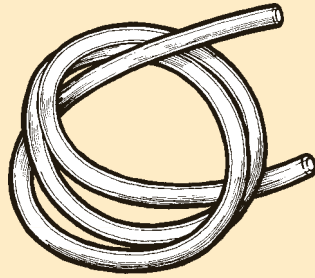
Type	Element size	a	D	d
5887-A	6/12	40	36	13.5
5887-B	6/12	50	36	13.5
5887-C	9/18	60	42	19.5



Gaskets for air nozzles

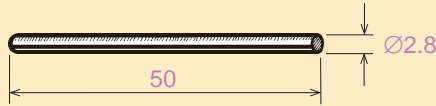
Element size	6/12		9/18	
	d	D	d	D
Upper gasket	11	32	17	38
Lower gasket	16	36	22	42





**Silicon rubber hose**

For connection to air nozzles

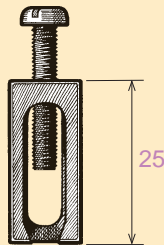
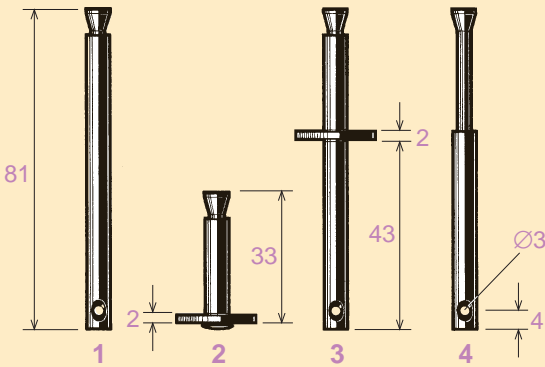


**Locking pin**

Type	Anchor system
5926-1	Standard and air cooled
5926-2	Sealed <sup>1)</sup>
5926-3	Sealed
5926-4	Air cooled <sup>2)</sup>

**Anchor pins**

- 1) Without locking pin.
- 2) Element size 6/12 mm and distance between shanks (a) = 40 mm



**Fastening yoke  
Type 5925**

