

Compact, On-Line High Accurate IR Pyrometer for Body Temperature Measurement

CE 0°C to 50°C

FeverSPOT EL

FeverSPOT EL is a rugged and compact IR Pyrometer especially designed for human body temperature measurement with high accuracy of 0.3°C. Its mustering range from 0°C...50°C.

FeverSPOT EL gives digital output for communication and data logging. The pyrometer is equipped with a Inbuilt LCD display with red & green back lights which shows real time temperature and counting the number of peoples. User can change the unit of temperature °C/°F. Temperature hold time, Set point, Reset the storage data, Response time.



Technical Specifications

Model	FeverSPOT EL
Temperature Range (Analog sub-range adjustable)	0°C to 50°C
Spectral Range	8 - 14 μm
Photodetector Type	Thermopile
Distance to Spot Size Ratio	15:1
Emissivity (ε)	0.1 to 1.2 adjustable
Response Time	100 msec adjustable upto 10 sec
Accuracy	0.3°C
Repeatability	0.2°C
Resolution	0.1°C
Digital Output	USB 2.0, RS-232/RS-485 interface card (Optional) *At a time only one digital output possible
Relay Output	Relay Output with hysteresis 60V DC/42V AC RMS,0.4A
Operating Temp. Range	0°C.....50°C
Storage Temp. Range	-20°C...70°C
Adjustable Parameters and Features via Software	Emissivity, Response Time, Unit Of Temperature(°C/°F), Relay Set point, Temperature hold time etc.
Power Supply	Two options are available: (User can select any one option) (1) 5V USB Adaptor (2) 12 - 24V DC supply
Power Consumption	Max 1.2 watt
Protection Class	IP65
Housing	Stainless Steel
Operating Humidity	10-95%, Non-Condensing Conditions
Weight & Dimensions	200g Dia= Ø25mm; L=103mm

Features

- Temperature range from 0°C to 50°C
- Inbuilt data storage of counts with temperature
- 15:1 optics
- Two back lights (green & red) status indications and a buzzer for alarm indication
- Spectral range 8...14 μm
- 100 ms response time adjustable upto 10 sec
- USB 2.0 Digital output
- RS-232/RS-485 Serial interface card
- Relay output
- User friendly PC software for communication

Standard Scope of Supply

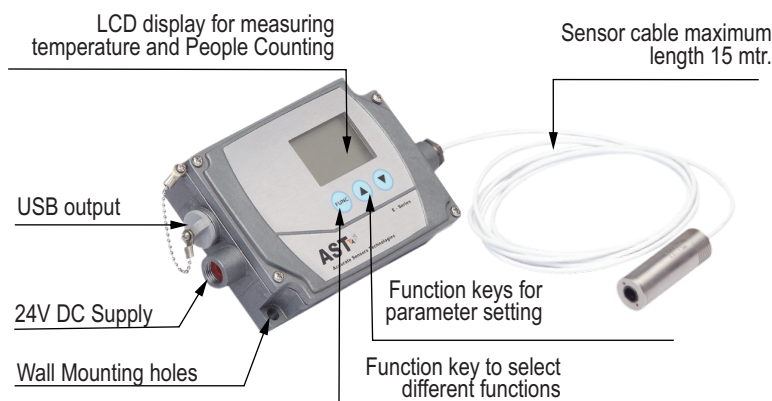
- Pyrometer with 3 mtr. long connection cable
- Relay output
- USB cable
- Calibration Certificate, Software & Operation Manual.

Optional

- Extra cable lengths
- Mechanical and Electrical Accessories
- RS-232/RS-485 communication card

Applications

- Human Body Temperature Measurement

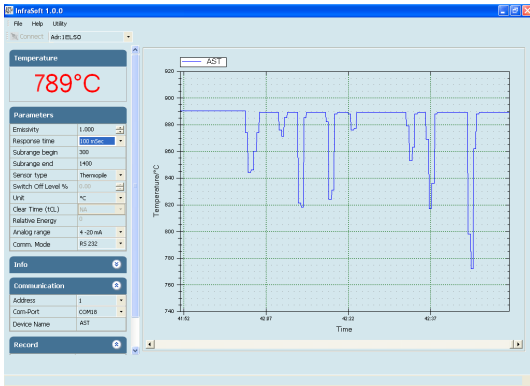


Normal Temperature

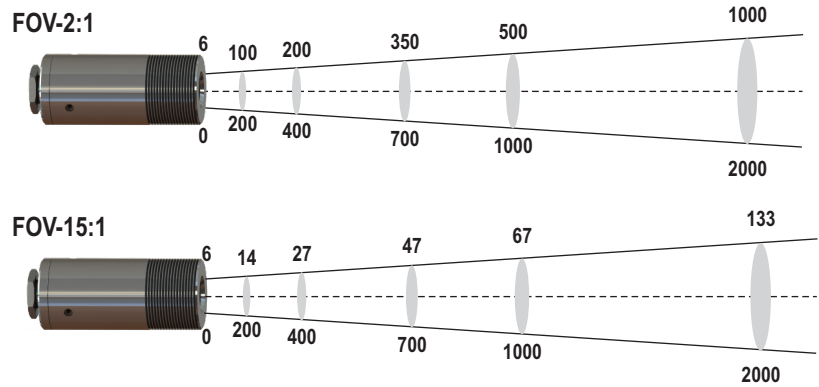
Fever Condition

We measure accurate temperature in extreme conditions

Software

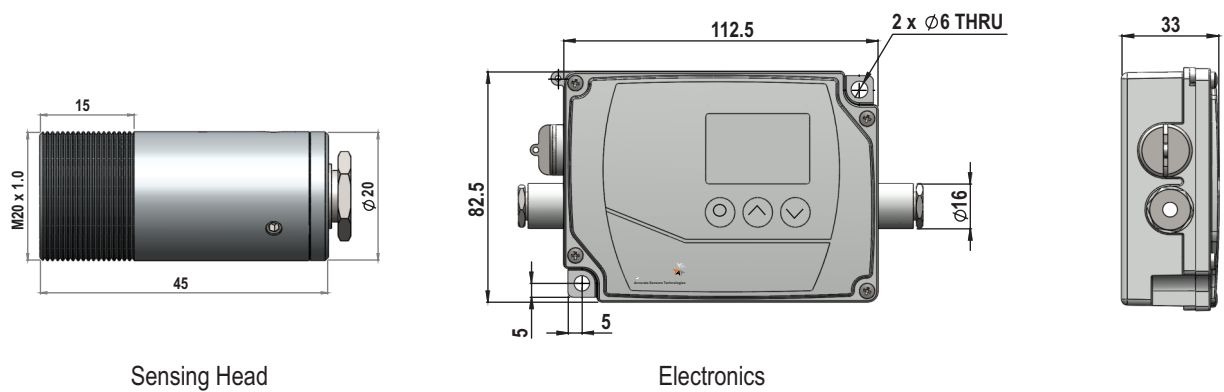


Spot Sizes



*All Dimensions are in "mm".

Pyrometer Drawing



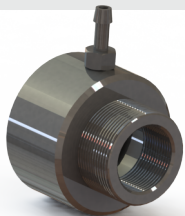
Accessories

Air Purge Unit For Sensor Head
(Reference No. - 8300-03)

Adjustable Mounting for Sensor Head
(Reference No. - 8300-04)

Converter RS-232 ↔ RS-485
(Reference no: 9000-03)

Power supply Input 110/230V AC
Output 24 V DC, 0.7Amp.
(Reference No. 9000 - 02)



IBT חברה לאימפורט בניין ומסחר בע"מ | www.ibt.co.il



IBT Ltd. Co

Ha-Rakefet 20 Street

Moshav Hagar 4587000

Israel

Tel : +972 3 6879901

Email : info@ibt.co.il www.ibt.co.il



Accu



We measure accurate temperature in extreme conditions