

## Thin Compression Load Cell

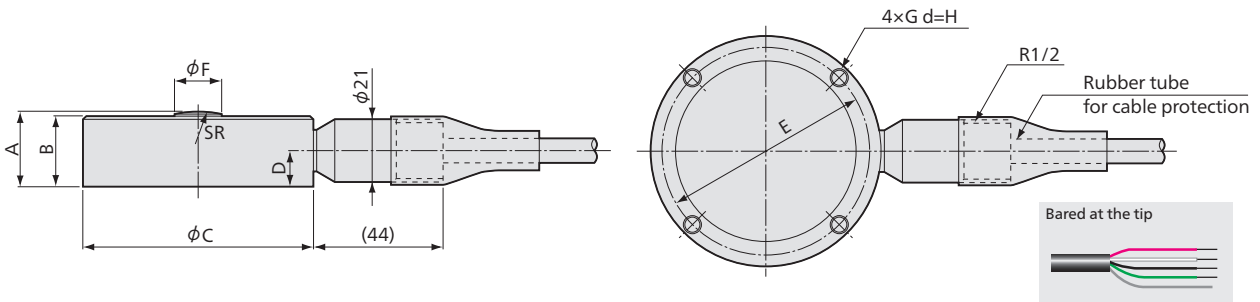


\*TEDS-installed models are available. Inquiries are welcome.

### Thin High Reliability, Hermetically-sealed Structure with Inert Gas Filled in

The LCK-A series load cells have excellent accuracy, reliability, stability, and response. They also have a thin design for convenient installation as detection terminals of weighing systems. This thin design makes them suitable for applications such as conveyors, vehicles, cranes, hoppers, and tanks where the space, especially the height, is limited and the detecting part needs to be downsized.

#### ■ Dimensions



Models	Rated Capacity	Natural Frequencies (Approx.)	A	B	φC	D	E	φF	G	H	SR	Weight *
LCK-A-5KN	5 kN	10.7 kHz	25	23.5	78	12	70	16	M5	8	50	≈ 700 g
LCK-A-10KN	10 kN	11.4 kHz										
LCK-A-20KN	20 kN	14.2 kHz										
LCK-A-50KN	50 kN	24.2 kHz	30	28	98	14.5	80	18	M8	12	70	≈ 1.5 kg
LCK-A-100KN	100 kN	14.8 kHz	35	33	108	17.5	90	25	M8	12	70	≈ 2.2 kg
LCK-A-200KN	200 kN	12.6 kHz	50	45	118	25	100	35	M8	12	100	≈ 3.5 kg

\*Excluding cable

#### Specifications

##### Performance

<b>Rated Capacity</b>	See table below.
<b>Nonlinearity</b>	Within ±0.2% RO for 5 to 100 kN Within ±0.5% RO for 200 kN
<b>Hysteresis</b>	Within ±0.2% RO for 5 to 100 kN Within ±0.5% RO for 200 kN
<b>Repeatability</b>	0.05% RO or less
<b>Rated Output</b>	2 mV/V ±0.5%

##### Environmental Characteristics

<b>Safe Temperature</b>	-30 to 80°C
<b>Compensated Temperature</b>	-10 to 70°C
<b>Temperature Effect on Zero</b>	Within ±0.007% RO/°C
<b>Temperature Effect on Output</b>	Within ±0.005%/°C

##### Electrical Characteristics

<b>Safe Excitation</b>	20 V AC or DC
<b>Recommended Excitation</b>	1 to 10 V AC or DC
<b>Input Resistance</b>	350 Ω±0.5%
<b>Output Resistance</b>	350 Ω±0.5%
<b>Cable</b>	4-conductor (0.3 mm <sup>2</sup> ) chloroprene shielded cable, 7.6 mm diameter by 5 m long, with bared at the tip (Shield wire is not connected to the case.)

##### Mechanical Properties

<b>Safe Overloads</b>	150%
<b>Natural Frequencies</b>	See table below.
<b>Weight</b>	See table below.
<b>Degree of Protection</b>	IP67 (IEC 60529)

Optional Accessories (For details, see pages 2-72 to 2-76)

Saddle CA-B

● Physical quantity indication

● Static measurement ● Dynamic measurement

