

Model N series

General Stationary Surface Probes

N模式系列

N模式系列产品是适用于静止表面温度测试的通用型温度感应器。通过组合各个规格的组件，可以按照客户的用途进行个性选配。

Model N series probes are general-purpose temperature sensors designed to measure the temperatures of stationary surfaces.

Specific components may be combined to customize products for the needs of a customer's specific application.

モデルNシリーズは、静止表面の温度測定に適した汎用的な温度センサです。

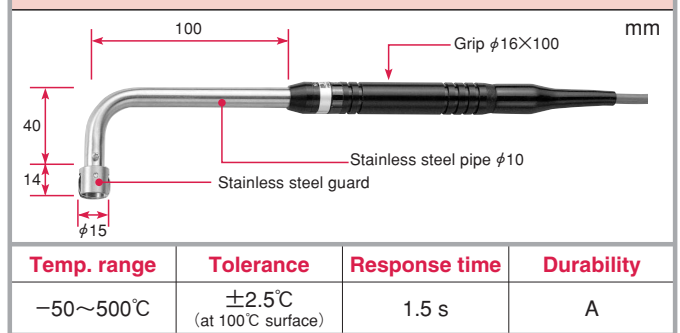
各パーツの仕様を組み合わせる事により、お客様の用途に合わせてカスタマイズする事が出来ます。

Typical probes of N series

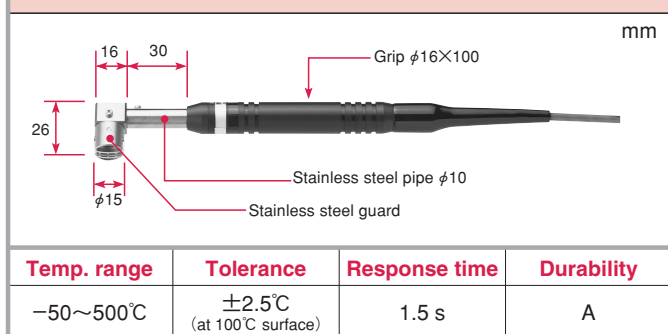
Type K Model N-231K-00-1-TC1-ANP Type E Model N-231E-00-1-TC1-ANP



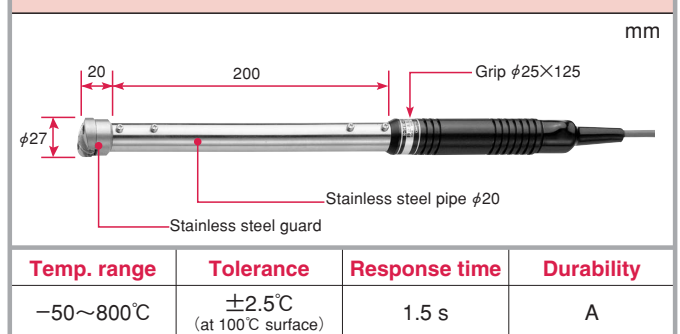
Type K Model N-233K-01-1-TC1-ANP Type E Model N-233E-01-1-TC1-ANP



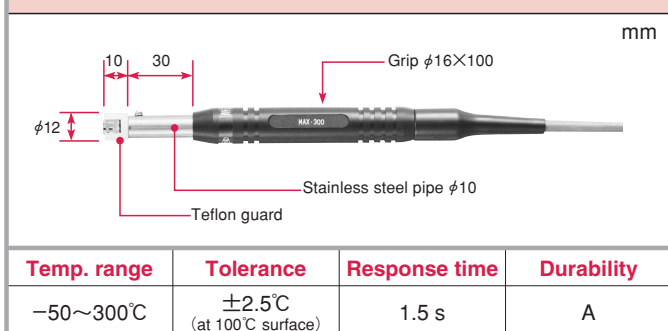
Type K Model N-234K-00-1-TC1-ANP Type E Model N-234E-00-1-TC1-ANP



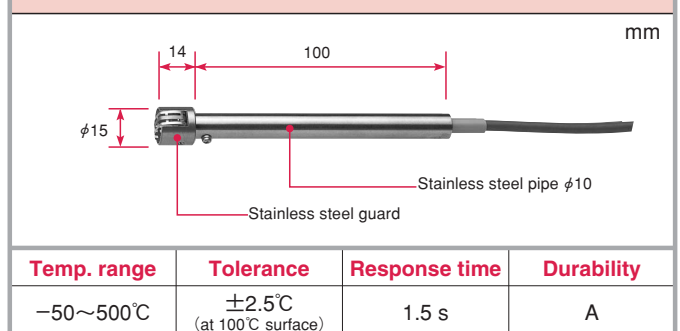
Type K Model N-141K-02-1-TC1-ANP Type E Model N-141E-02-1-TC1-ANP



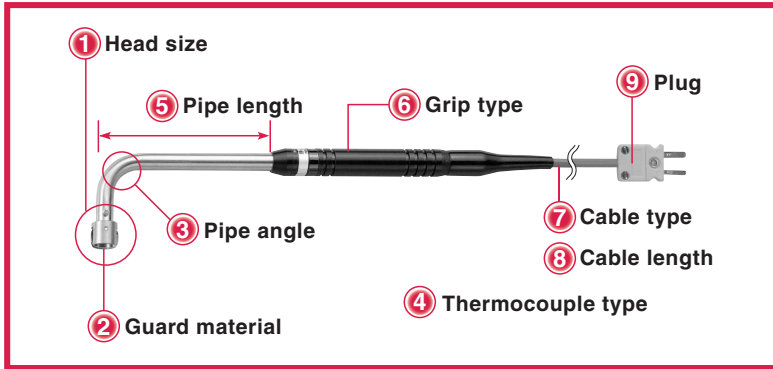
Type K Model N-311K-00-1-TC1-ANP Type E Model N-311E-00-1-TC1-ANP



Type K Model N-231K-01-0-TC1-ANP Type E Model N-231E-01-0-TC1-ANP



How to order of N series



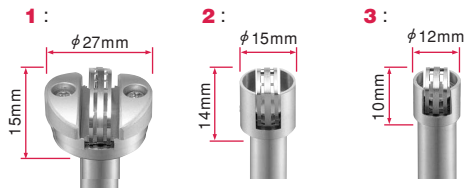
N-233K-01-1-TC1-ANP



① Head size	1 : $\phi 27\text{mm}$ 2 : $\phi 15\text{mm}$ 3 : $\phi 12\text{mm}$
② Guard material (Max. temp.)	1 : Teflon (300°C) 2 : Polyimide (400°C) 3 : Stainless (500°C) 4 : Stainless for high temp. (800°C) 5 : Teflon (200°C) (Element is coated by teflon.) 6 : Polyimide (300°C) (Element is coated by polyimide.) 7 : Without guard (500°C) (Only N-1**)
③ Pipe angle	1 : Straight 2 : 45 degrees 3 : 90 degrees 4 : 90 degrees (elbow) 5 : 45 degrees* 6 : 90 degrees* 7 : 90 degrees (elbow)* *Element direction of right angle
④ Thermocouple type	K : Chromel-Alumel E : Chromel-Constantan
⑤ Pipe length	00 : 30mm 01 : 100mm 02 : 200mm 10 : 1000mm 15 : 1500mm (only N-14*) 20 : 2000mm (only N-14*)
⑥ Grip type	0 : No grip (For fixed-position measurement) 1 : Standard grip (For handheld measurement)
⑦ Cable type (See page 5)	TC :
⑧ Cable length	1 : 1m 1.5 : 1.5m 2 : 2m 2.5 : 2.5m
⑨ Plug (See page 4)	ANP : P plug ASP : S plug W : Without plug

① Head size

You can choose head size as below.



③ Pipe angle

You can choose pipe angle as below.

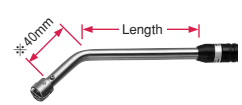
	① Pipe Element	⑤ Pipe Element
	1	
	2	5
	3	6
	4	7

⑤ Pipe length

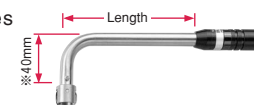
Straight



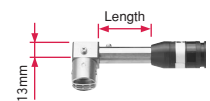
45 degrees



90 degrees



90 degrees (elbow)



Only the pipe of N-14 is 110mm in height.

⑥ Grip type

No grip	For device, system, auto-machines, mechanical system etc
Standard grip	For handheld measurement

Specifications

Tolerance	$\pm 2.5^\circ\text{C}$ (at 100°C surface)
Response time	1.5 s 6 s in the case of coated element (N-*5*, N-*6*)
Durability rank	A
Maximum allowable tilt	$\pm 4^\circ$ (N-2**, N-3**) $\pm 8^\circ$ (N-1**)